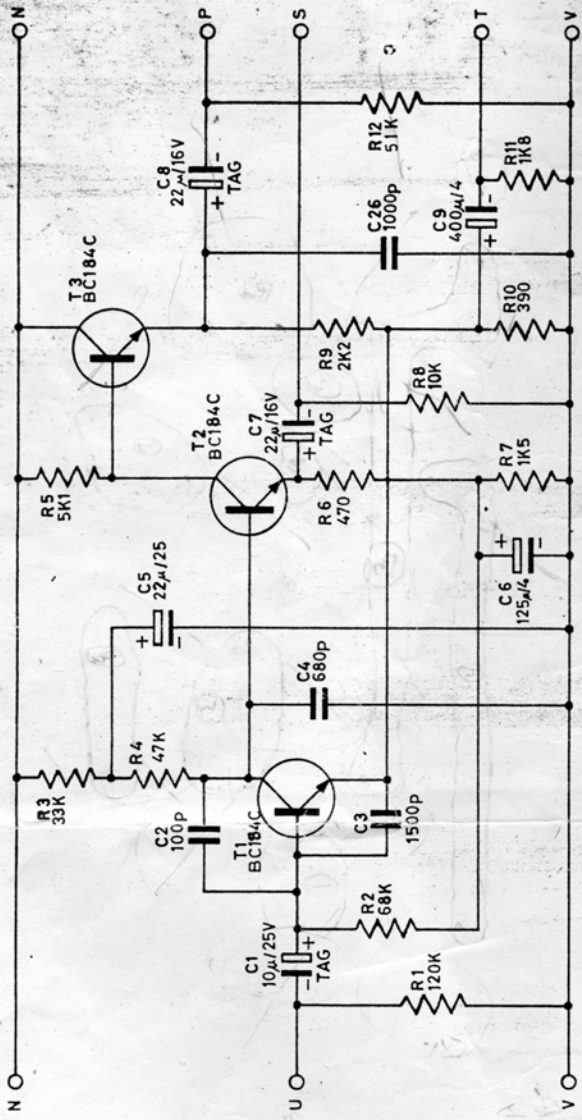
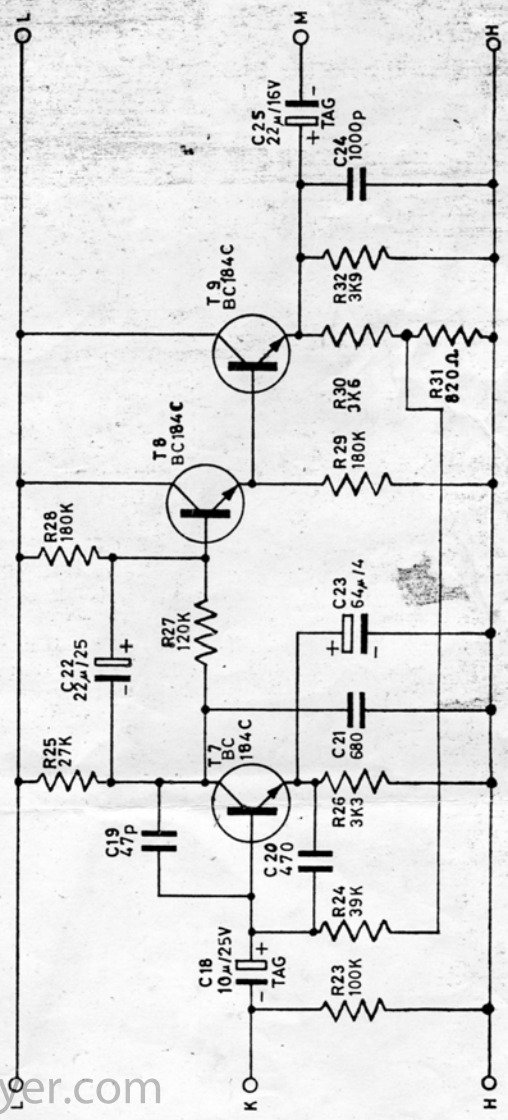
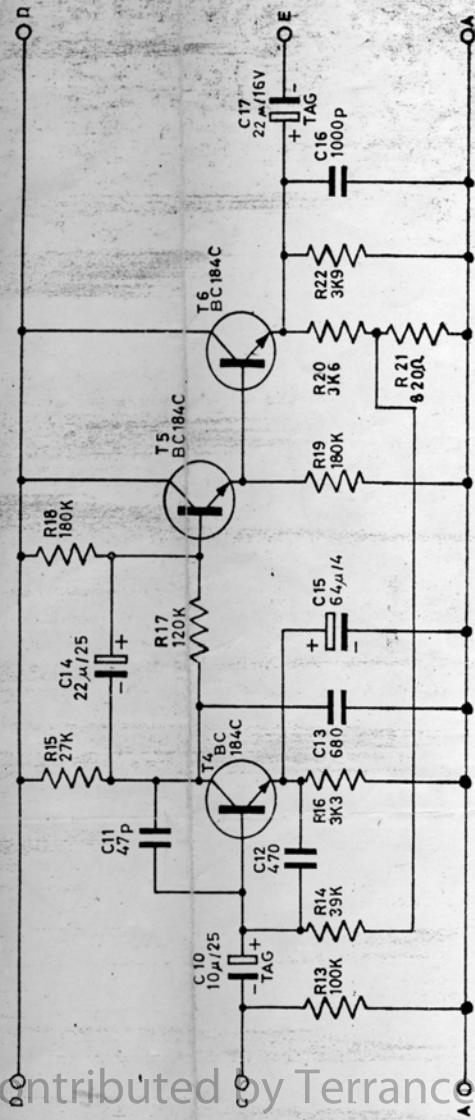


BA284

Mic Pre 1084 Module



EX/10,284



The Neve Group of Companies

TITLE BA284

This drawing is the property of this company and may not be reproduced or disclosed to a third party without the permission of this company.

C	15/11/72	10565	DATE	15/11/71	CN 10,362
B	8-3-72	10,473	DRAWING		
A	8-12-71	10,402	NUMBER	EX/10,284	